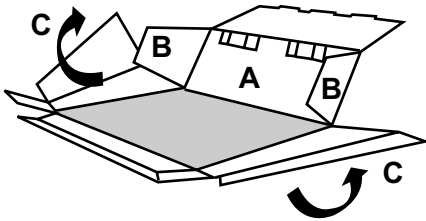
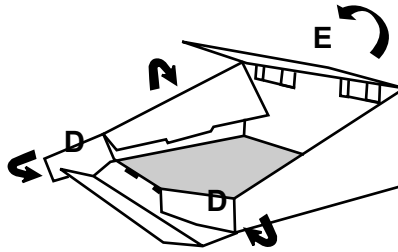


SINGLE TIER DISPLAY Assembly Instructions

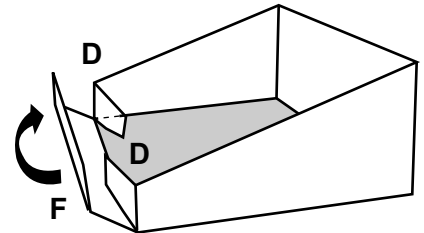
1 Fold (A) up and side flaps (B) in toward each other. Roll up right & left flaps (C) over flaps (B) and lock in.



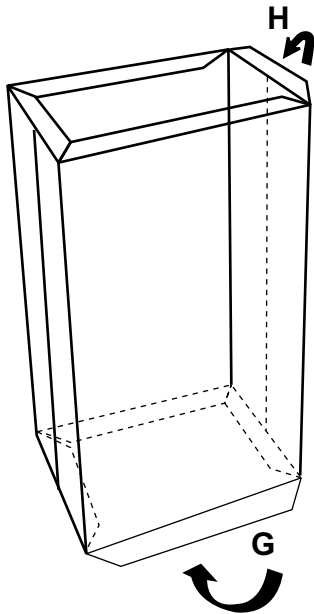
2 Fold (D) in toward each other. Roll over back double wall (E) and lock in as shown.



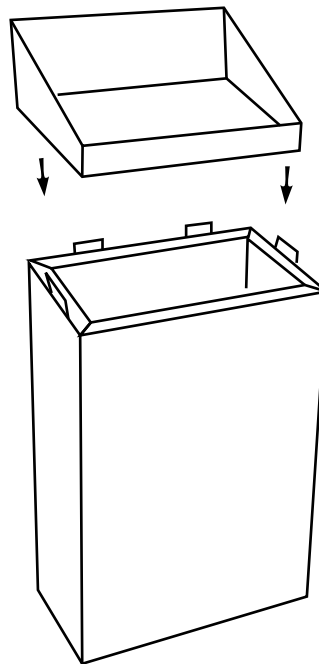
3 Roll front double wall (F) over (D) flaps and lock in.



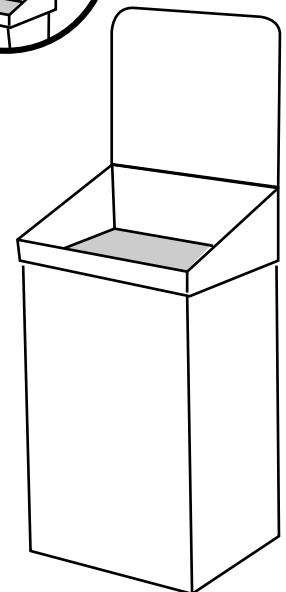
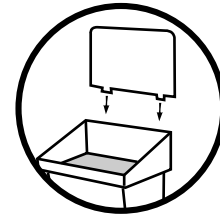
4 Square up base. Fold bottom flaps (G) under base. Fold top flaps (H) towards inside.



5 Put tray onto base and lock into tabs as shown.



6 Place optional header into top slots.



YOUR FINISHED DISPLAY