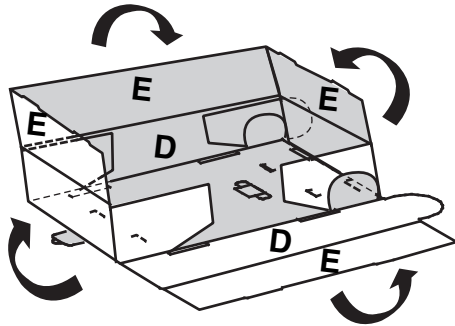
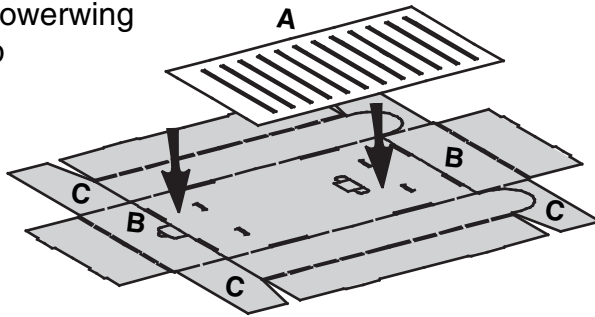


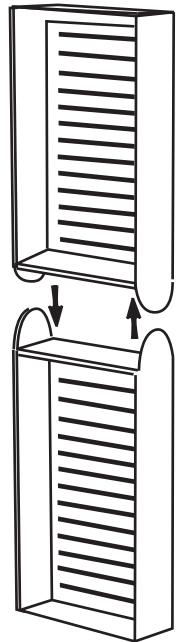
#SD - 011 POWERWING

#SD - 012 POWERWING ON A BASE Assembly Instructions

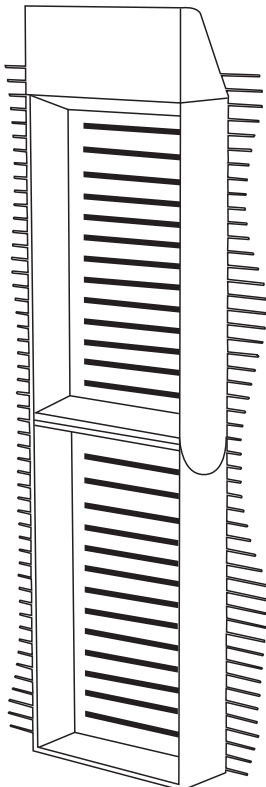
1 Place insert (A) onto powerwing as shown. Fold (B) 90° up and side flaps (C) at in toward each other. Roll up right & left flaps (D) and roll over flaps (E) to lock in.



2 Repeat step 1 to other powerwing and place the two into each other as shown.

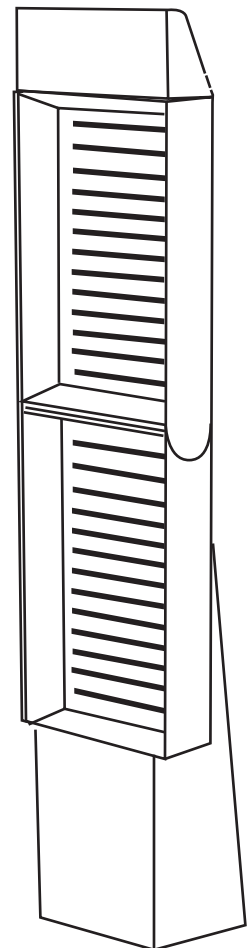
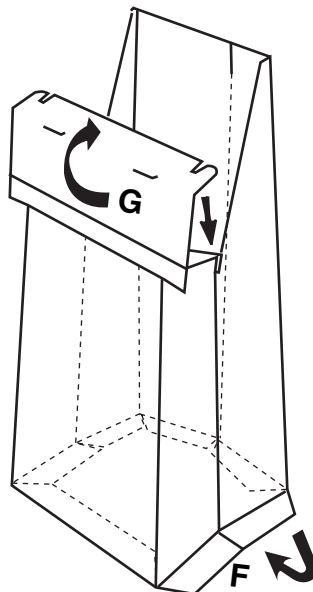


3 Place optional header into top slots. Hang double power-wing display onto wire rack using four plastic hooks two for each section.



Base Instructions

1 Square up optional base. Fold flaps (F) at the bottom of the base inside. Fold shelf edge (G) and lock into slot on base. Place double powerwing onto base.



YOUR FINISHED DISPLAY